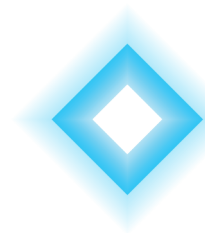


FPB Series 2

Sockets for photomultipliers (PMT)



Reference : FPB12N102-E678-14C-C2



PMT to use along with: HAMAMASTU R7899

General Description

- ◇ FPB series modules are made to order products for implementation of photomultiplier tubes.
- ◇ They contain either a high voltage DC/DC converter and a passif divider or a Cockroft-Walton with a socket for the PMT.
- ◇ The signal can be a current (raw) or a voltage (current to voltage amplifier) or an counting (comparator).

PMT Socket	HAMAMASTU E678-14C
Output Voltage	0 to -1500Vdc (negative)
Input supply	11 to 13Vdc /1.3W max
Control voltage	0 to +5V (input impedance : 1MΩ)
Vref	+5V +/-2% (for an external potentiometer use)
Voltage Monitor	0 to +5V
Ripple	0.01%V/Vp-p
Accuracy:	±1% at full scale
Stability	100ppm/°C
Signal	Current output (high impedance). Voltage output (pre-amplifier) available
Input connecteur	Flying leads.
Case material	Chromed brass (the case is internally grounded)
Operating temperature	0°C to +40°C
Storage temperature	-20°C to +70°C

Voltage Distribution Ratio

Function	K	Dy1	Dy2	Dy3	Dy4	Dy5	Dy6	Dy7	Dy8	Dy9	Dy10	0V	A
Pin #	1	2	14	3	13	4	12	5	11	6	10		7
Resistor		3R	R		R	R	R	R	R	R	R		R

K: cathode | Dy: dynode | A: Anode

R = 330kΩ | C = 10nF

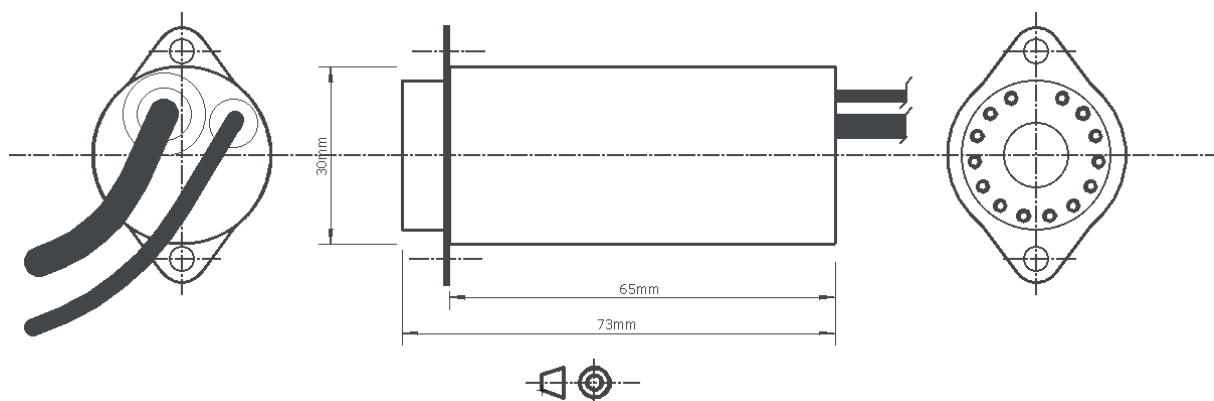
FPB Series 2

Sockets for photomultipliers (PMT)

A - Wire configuration (22AWG)

Wire	Function
Red	+Vin
Black	Ground
Orange	Input control
White	Vref
Green	Output Monitor

B - Anode output: RG178/AU



This High Voltage power supply satisfies the requirements of EC Directives Safety.

Non contractual document.
All specifications are subject to change without notice.

Rev.A 03/16

