

# FPB Series 1

## Sockets for photomultipliers (PMT)



Reference : FPB12N102-E678-11N-C1



PMT to use along with: HAMAMASTU R1635

### General Description

- ◇ FPB series modules are made to order products for implementation of photomultiplier tubes.
- ◇ They contain either a high voltage DC/DC converter and a passif divider or a Cockroft-Walton with a socket for the PMT.
- ◇ The signal can be a current (raw) or a voltage (current to voltage amplifier) or an counting (comparator).

PMT Socket	HAMAMASTU E678-11N
Output Voltage	0 to -1000Vdc (negative)
Input supply	11.5 to 15Vdc / 0.6W max
Control voltage	0 to +5V (input impedance: 1MΩ)
Ripple	0.01 %V/Vp-p
Accuracy	±2 % at full scale
Stability	100ppm/°C
Signal	Current output (high impedance)
Input connecteur	MOLEX 053048-0410
Case material	Brass, fully potted with a silicone resin (the case is internally grounded)

### Voltage Distribution Ratio

Function	K	Dy1	Dy2	Dy3	Dy4	Dy5	Dy6	Dy7	Dy8	0V	A
Pin #	11	2	10	3	9	4	8	5	7		6
Resistor	2R	2R	R	R	R	R	R	R	R		
Capacitor	-	-	-	-	-	-	C	C	C		

K: cathode | Dy: dynode | A: Anode

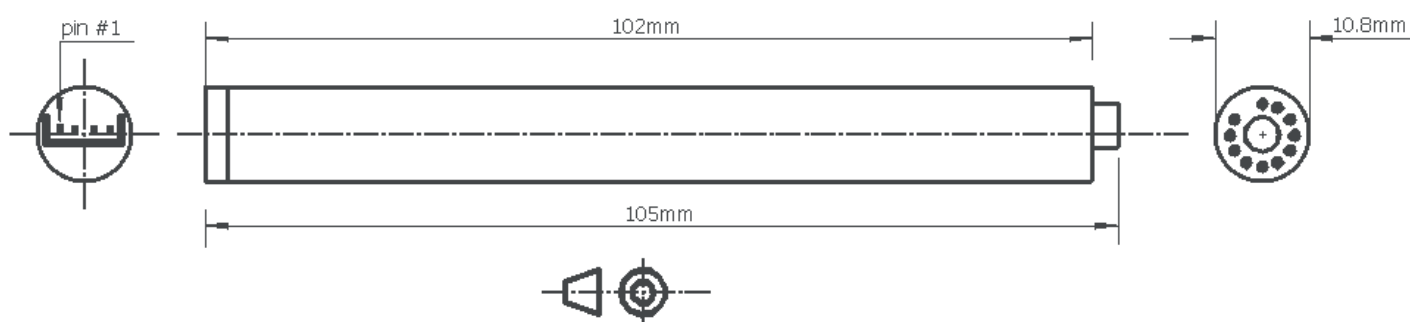
R = 330kΩ | C = 10nF

# FPB Series 1

## Sockets for photomultipliers (PMT)

### Connector configuration

Pin #	Function
1	Ground
2	Control input
3	+Vin
4	Anode signal



This High Voltage power supply satisfies the requirements of EC Directives Safety.

Non contractual document.  
All specifications are subject to change without notice.

Rev.A 03/16



# FPB Series

Sockets for photomultipliers (PMT)

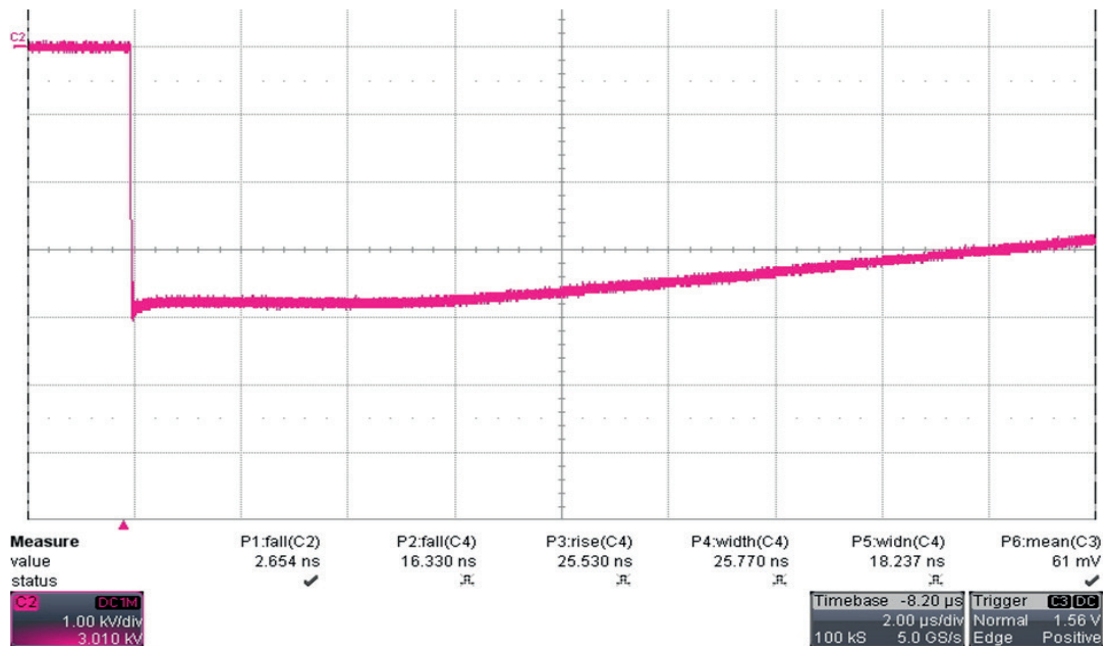


Fig.1 : overall view

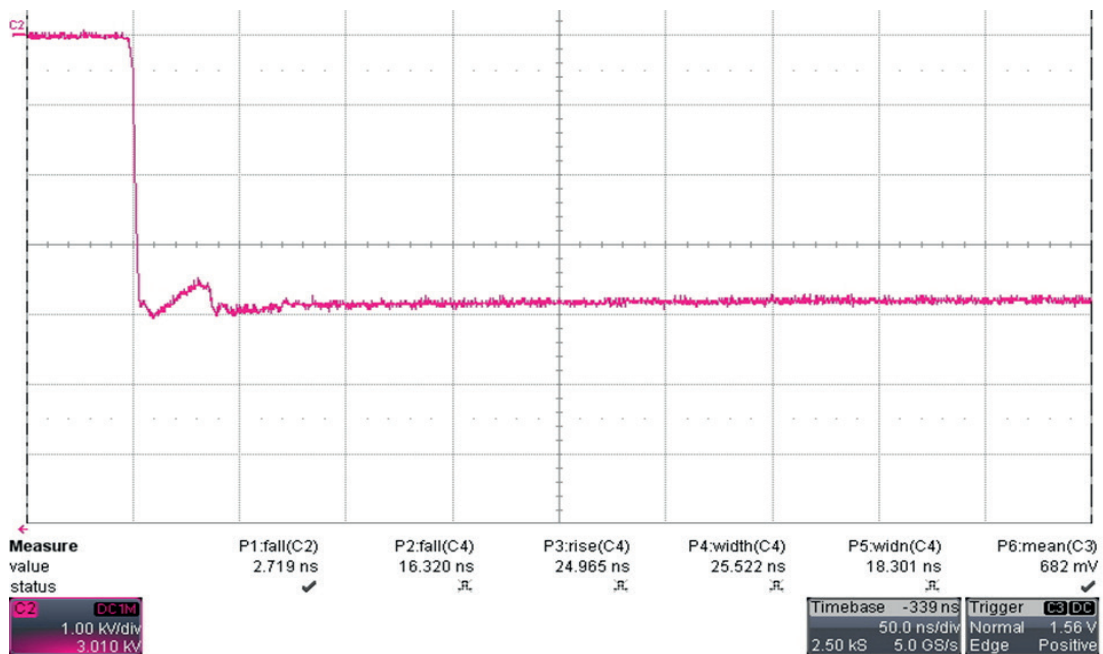


Fig.2 : detail of the falling edge

